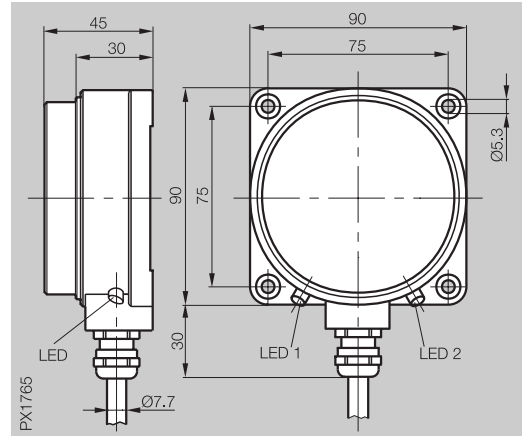
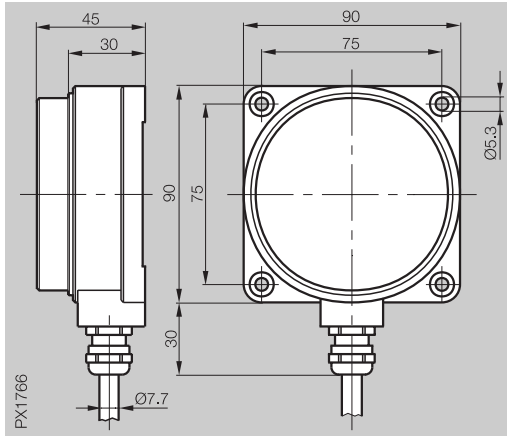




Housing size	<b>90x90 mm</b>	<b>90x90 mm</b>
Type	Remote unit ←.....→	Base unit
Transmission distance	<b>3...11 mm</b>	<b>3...11 mm</b>
Mounting	non-flush	non-flush



Remote PNP	RHPT8 8010P-C3-PU-05	RHPE8 8010P-C3-PU-05
Base PNP		
Assured transmission distance	4...9 mm	4...9 mm
Supply voltage $U_B$ incl. ripple		24 V DC $\pm 10\%$
Voltage drop $U_d$ at $I_e$		$\leq 1.5$ V
Rated operating current $I_e$		$\leq 50$ mA per output
No-load supply current $I_0$ max.		$\leq 800$ mA
Off-state current $I_r$		$\leq 80$ $\mu$ A
Short circuit protected		yes
Contamination class	3	3
Current draw per input		$\leq 7$ mA
Radial offset	$\leq \pm 7$ mm	$\leq \pm 7$ mm
Operating current (for sensors and actuators)	$\leq 300$ mA	
Output voltage (for sensors and actuators)	24 $\pm 1.5$ V DC	
Rated insulation voltage $U_i$	75 V DC	
Rated current (actuators)	$\leq 50$ mA per output	
Ambient temperature range $T_a$	0...+50 °C	0...+50 °C
Frequency of operating cycles f	40 Hz	40 Hz
Function/supply voltage indication		yes/yes
Degree of protection per IEC 60529	IP 67	IP 67
Housing material	Al	Al
Material of sensing face	ABS/PBT	ABS/PBT
Connection	5 m cable, PUR	5 m cable, PUR
No. of wires x conductor cross-section	9 x 0.18 mm <sup>2</sup> + 2 x 0.5 mm <sup>2</sup>	9 x 0,8 mm <sup>2</sup> + 2 x 0.5 mm <sup>2</sup>

For your electrical planning, please ask for the user's guide!

For connecting max. 4 sensors + 4 actuators  
 Remote unit is attached to the moving side on which the sensors and actuators are located.  
 Base unit is connected on the stationary side with the supply voltage and controller.

**High Power Remote 4+4**

The coupling system, bidirectional for 4 sensor signals and 4 actuator trigger signals. Remote systems are used wherever fixed wiring of sensors and actuators is not possible, such as on rotary indexing tables, interchangeable stamping heads, etc.. The Remote System offers a way of sending signals and power without contact using inductive transmission.

- Non-contacting signal transission, wear-free
- Enclosure rating IP67
- Parallel signal interface
- 4 inputs and 4 outputs



Balluff GmbH  
 Schurwaldstrasse 9  
 73765 Neuhausen a.d.F.  
 Germany  
 Phone +49 (0) 71 58/1 73-0  
 Fax +49 (0) 71 58/50 10  
 E-Mail: balluff@balluff.de